



STAINLESS STEELWARE / PLASTICWARE / SKLARLITE™ CONTAINERS / INSTRUMENT STRINGERS

# STAINLESS STEELWARE

[www.sklarcorp.com](http://www.sklarcorp.com)



Stainless Steelware / Plasticware / SklarLite™ Containers / Instrument Trays and Stringers

**Everyday - Sklar and your Sklar  
Dealer fulfill your product needs  
with uncommon value.**

**Sklar -  
Quality you can feel... see...  
and trust!**

---

889 South Matlack Street  
West Chester, PA 19382

ph: 800.221.2166 / 610.430.3200  
fx: 610.696.9007  
e-mail: [surgi@sklarcorp.com](mailto:surgi@sklarcorp.com)  
e-mail: [international@sklarcorp.com](mailto:international@sklarcorp.com)

[www.sklarcorp.com](http://www.sklarcorp.com)

All Sklar Stainless Steelware is produced according to the strictest standards to ensure superior performance and durability.

\*All products are packaged individually. Select products are available in bulk. To order larger quantities, simply add the package quantity to the end of the product number when ordering, ie. 10-1670-12 for 12/cs or 10-1670-48 for 48/cs.

**IODINE CUP\***

PRODUCT NUMBER	DESCRIPTION	QUANTITIES
10-1670	6 oz., 3 <sup>7</sup> / <sub>16</sub> " x 2"	1, 12, 24 or 48/cs
10-1671	14 oz., 4 <sup>3</sup> / <sub>8</sub> " x 2 <sup>5</sup> / <sub>8</sub> "	1, 12, 24 or 48/cs



**MEDICINE CUP\***

PRODUCT NUMBER	DESCRIPTION	QUANTITIES
10-1675	2 oz., 2 <sup>1</sup> / <sub>8</sub> " x 2" Graduated Measure	1, 12, 24 or 48/cs



**TUMBLER\***

PRODUCT NUMBER	DESCRIPTION	QUANTITIES
10-1536	2 <sup>7</sup> / <sub>8</sub> " x 3 <sup>1</sup> / <sub>8</sub> "	1, 12/cs



**PITCHER / BEAKER\***

PRODUCT NUMBER	DESCRIPTION	QUANTITIES
10-1172	125ml, 2 <sup>1</sup> / <sub>8</sub> " x 2 <sup>5</sup> / <sub>8</sub> " without Handle	1 Each
10-1173	250ml, 2 <sup>5</sup> / <sub>8</sub> " x 3 <sup>1</sup> / <sub>4</sub> " without Handle	1 Each
10-1174	600ml, 3 <sup>3</sup> / <sub>8</sub> " x 4 <sup>5</sup> / <sub>8</sub> " without Handle	1 Each
10-1176	2000ml, 4 <sup>7</sup> / <sub>8</sub> " x 7 <sup>1</sup> / <sub>8</sub> " without Handle	1 Each
10-1177	3000ml, 5 <sup>1</sup> / <sub>2</sub> " x 8 <sup>1</sup> / <sub>4</sub> " without Handle	1 Each
10-1178	4000ml, 6 <sup>1</sup> / <sub>8</sub> " x 8 <sup>7</sup> / <sub>8</sub> " without Handle	1 Each
10-1175	1200ml, 4 <sup>1</sup> / <sub>8</sub> " x 6 <sup>1</sup> / <sub>16</sub> " with closed Handle	1 Each
10-1539	2000ml, 5 <sup>1</sup> / <sub>16</sub> " x 6 <sup>5</sup> / <sub>8</sub> " with closed Handle	1, 6 or 12/cs
10-1180	3000ml, 6 <sup>1</sup> / <sub>16</sub> " x 7" with closed Handle	1 Each
10-1181	4000ml, 6 <sup>7</sup> / <sub>8</sub> " x 8 <sup>7</sup> / <sub>8</sub> " with closed Handle	1 Each



**GRADUATED MEASURE\***

PRODUCT NUMBER	DESCRIPTION	QUANTITIES
10-1552	16 oz., 3¾" x 4½"	1, 6 or 12/cs
10-1510	32 oz., 4¾" x 5¼"	1, 6 or 12/cs
10-1674	64 oz., 5½" x 6½"	1, 6 or 12/cs



**MIXING/SOLUTION BOWLS\***

PRODUCT NUMBER	DESCRIPTION	QUANTITIES
10-1488	7/8 qt., 6⅝" x 2½"	1 or 12/cs
10-1491	1 1/8 qt., 8⅞" x 3"	1 or 12/cs
10-1492	3 qt., 9¾" x 4"	1 or 12/cs
10-1493	5 qt., 11⅞" x 4½"	1 or 12/cs
10-1494	6¾ qt., 12¾" x 5¼"	1, 6 or 12/cs
10-1495	8 qt., 13⅝" x 5⅞"	1, 6 or 12/cs



**SPONGE BOWLS\***

PRODUCT NUMBER	DESCRIPTION	QUANTITIES
10-1496	12 oz., 4¼" x 2"	1 or 12/cs
10-1498	22 oz., 5" x 2⅜"	1 or 12/cs
10-1484	29 oz., 5⅝" x 2⅞"	1 or 12/cs
10-1485	36 oz., 6¼" x 2¾"	1 or 12/cs
10-1483	48 oz., 7⅞" x 2¾"	1 or 12/cs
10-1486	64 oz., 7⅞" x 3"	1 or 12/cs



**SOLUTION BASINS\***

PRODUCT NUMBER	DESCRIPTION	QUANTITIES
10-1489	4½ qt., 12" x 4¼"	1 or 12/cs
10-1505	7 qt., 13⅝" x 4⅝"	1, 6 or 12/cs
10-1507	9½ qt., 14½" x 5"	1, 6 or 12/cs



\*All products are packaged individually. Select products are available in bulk. To order larger quantities, simply add the package quantity to the end of the product number when ordering, ie. 10-1670-12 for 12/cs or 10-1670-48 for 48/cs.

**EMESIS BASINS\***

PRODUCT NUMBER	DESCRIPTION	QUANTITIES
10-1497	10 oz., 6 <sup>5</sup> / <sub>8</sub> " x 3 <sup>1</sup> / <sub>2</sub> " x 1 <sup>1</sup> / <sub>2</sub> "	1 or 12/cs
10-1698	12 oz., 8 <sup>1</sup> / <sub>8</sub> " x 3 <sup>3</sup> / <sub>8</sub> " x 1 <sup>5</sup> / <sub>8</sub> "	1 or 12/cs
10-1699	26 oz., 9 <sup>7</sup> / <sub>8</sub> " x 4 <sup>1</sup> / <sub>2</sub> " x 2 <sup>1</sup> / <sub>8</sub> "	1 or 12/cs
10-1487	48 oz., 12 <sup>1</sup> / <sub>2</sub> " x 5 <sup>3</sup> / <sub>4</sub> " x 2 <sup>1</sup> / <sub>4</sub> "	1 Each



**HOSPITAL BUCKETS**

PRODUCT NUMBER	DESCRIPTION	QUANTITIES
10-1182	13 qt., 11 <sup>5</sup> / <sub>8</sub> " x 9 <sup>1</sup> / <sub>4</sub> " w/o lid	1 Each
10-1450	13 qt., 11 <sup>5</sup> / <sub>8</sub> " x 9 <sup>1</sup> / <sub>4</sub> " with lid	1 Each
10-1183	16 qt., 11 <sup>3</sup> / <sub>4</sub> " x 10 <sup>1</sup> / <sub>8</sub> " w/o lid	1 Each
10-1451	16 qt., 11 <sup>3</sup> / <sub>4</sub> " x 10 <sup>1</sup> / <sub>8</sub> " with lid	1 Each
10-1184	20 qt., 13 <sup>3</sup> / <sub>4</sub> " x 11 <sup>1</sup> / <sub>16</sub> " w/o lid	1 Each



**HOSPITAL KICK BUCKET WITHOUT LID**

PRODUCT NUMBER	DESCRIPTION	QUANTITIES
10-1551	13 qt., 11 <sup>5</sup> / <sub>8</sub> " x 9 <sup>1</sup> / <sub>4</sub> "	1 Each



**STORAGE CONTAINERS\***

PRODUCT NUMBER	DESCRIPTION	QUANTITIES
10-1540	1/2 gal., 5 <sup>7</sup> / <sub>16</sub> " x 6 <sup>5</sup> / <sub>8</sub> " no handles	1, 6 or 12/cs
10-1186	3 gal., 10 <sup>3</sup> / <sub>16</sub> " x 9"	1 Each
10-1188	4 gal., 13" x 9"	1 Each
10-1189	5 gal., 13" x 11"	1 Each
10-1190	6 gal., 13" x 13"	1 Each



\*All products are packaged individually. Select products are available in bulk. To order larger quantities, simply add the package quantity to the end of the product number when ordering, ie. 10-1670-12 for 12/cs or 10-1670-48 for 48/cs.

**DRESSING JAR WITH LID\***

PRODUCT NUMBER	DESCRIPTION	QUANTITIES
10-1523	½ qt., 4½" x 2¼"	1 or 12/cs
10-1533	1¼ qt., 4" x 5"	1 or 12/cs
10-1538	1⅞ qt., 4⅞" x 6¼"	1 or 12/cs
10-1527	3 qt., 5⅞" x 6"	1 or 12/cs
10-1543	4¾ qt., 6¾" x 7¾"	1 or 12/cs
10-1544	6 qt., 7¼" x 8⅜"	1, 6 or 12/cs
10-1547	8 qt., 8" x 9⅞"	1, 6 or 12/cs



**FORCEP/THERMOMETER JAR\***

PRODUCT NUMBER	DESCRIPTION	QUANTITIES
10-1550	1½" x 3"	1, 6 or 12/cs
10-1541	2¼" x 4½"	1, 6 or 12/cs
10-1545	2¼" x 7"	1, 6 or 12/cs



**FUNNELS WITH HANGING HOOK**

PRODUCT NUMBER	DESCRIPTION	QUANTITIES
10-1157	2⅜ oz., 3" x 3¾"	1 Each
10-1158	6⅞ oz., 4⅞" x 4⅞"	1 Each
10-1159	13 oz., 5⅞" x 5⅞"	1 Each
10-1160	22¼ oz., 6¼" x 6⅞"	1 Each
10-1170	32 oz., 7" x 8⅜"	1 Each
10-1171	64 oz., 8⅞" x 9½"	1 Each



**LAB / UTILITY SCOOP**

PRODUCT NUMBER	DESCRIPTION	QUANTITIES
10-1192	5 oz., 5" x 2½" (Overall length 9½")	1 Each



\*All products are packaged individually. Select products are available in bulk. To order larger quantities, simply add the package quantity to the end of the product number when ordering, ie. 10-1670-12 for 12/cs or 10-1670-48 for 48/cs.

**OINTMENT JAR WITH LID\***

PRODUCT NUMBER	DESCRIPTION	QUANTITIES
10-1525	9 oz., 3 1/8" x 2 3/4"	1 or 12/cs



**MINI TRAY WITH LID**

PRODUCT NUMBER	DESCRIPTION	QUANTITIES
10-1768	8 1/2" x 3" x 1 1/2"	1 Each



# SKLAR DISINFECTANT™ SURFACE WIPES

READY-TO-USE, PRE-MOISTENED TOWELETTES

**2 MINUTE KILL TIME!**

**SAME EFFECTIVE FORMULA AS  
SKLAR DISINFECTANT!**

- Ready to use, non-toxic formula.
- Specially formulated for the control of cross contamination.
- Effective against a broad range of pathogens including H1N1, HIV-1, HPV, VRE, Norovirus, Hep B & C as well as TB, MRSA, A. Baumannii, and C. Diff in its vegetative form.
- Safe for all areas of the facility.
- Satisfies OSHA's Bloodborne Pathogen Standards.
- Destroys odor-causing bacteria.
- 7" x 10" non-woven, tear resistant towelette.
- Clean scent.
- EPA registered.

PRODUCT NUMBER	DESCRIPTION	QUANTITIES
10-1616	100 Towelettes/Canister	6/case
10-1617	100 Towelettes/Canister	12/case



Convenient  
Dispensing  
Canister

\*All products are packaged individually. Instrument trays and covers are sold separately unless otherwise noted. Select products are available in bulk. To order larger quantities, simply add the package quantity to the end of the product number when ordering, ie. 10-1670-12 for 12/cs or 10-1670-48 for 48/cs.

**MAYO TRAYS (SOLID)\***

PRODUCT NUMBER	DESCRIPTION	QUANTITIES
10-1690	10" x 6½" x ¾"	1, 6 or 12/cs
10-1691	13 <sup>1</sup> / <sub>16</sub> " x 9 <sup>13</sup> / <sub>16</sub> " x ¾"	1, 6 or 12/cs
10-1692	15 <sup>1</sup> / <sub>8</sub> " x 10 <sup>5</sup> / <sub>8</sub> " x ¾"	1, 6 or 12/cs
10-1693	17" x 11 <sup>5</sup> / <sub>8</sub> " x ¾"	1, 6 or 12/cs
10-1694	19 <sup>1</sup> / <sub>8</sub> " x 12 <sup>5</sup> / <sub>8</sub> " x ¾"	1, 6 or 12/cs
10-1695	21¼" x 16¼" x 7/8"	1, 6 or 12/cs


**MAYO TRAYS (PERFORATED)\***

PRODUCT NUMBER	DESCRIPTION	QUANTITIES
10-1684	10" x 6½" x ¾"	1, 6 or 12/cs
10-1685	13¾" x 9¾" x ¾"	1, 6 or 12/cs
10-1686	15 <sup>1</sup> / <sub>8</sub> " x 10 <sup>5</sup> / <sub>8</sub> " x ¾"	1, 6 or 12/cs
10-1687	17" x 11 <sup>5</sup> / <sub>8</sub> " x ¾"	1, 6 or 12/cs
10-1688	19 <sup>1</sup> / <sub>8</sub> " x 12 <sup>5</sup> / <sub>8</sub> " x ¾"	1, 6 or 12/cs
10-1689	21¼" x 16¼" x 7/8"	1 or 6/cs


**CATHETER INSTRUMENT TRAYS\***

PRODUCT NUMBER	DESCRIPTION	COVERS	QUANTITIES
10-1955	8¾" x 3¼" x 1½"	10-1956 - Dome	1, 6 or 12/cs
10-1738	8 <sup>7</sup> / <sub>8</sub> " x 5" x 2"	10-1722 - Dome	1, 6 or 12/cs
10-1760	8 <sup>7</sup> / <sub>8</sub> " x 5" x 3"	10-1722 - Dome	1, 6 or 12/cs
10-1886	17¼" x 4½" x 2"	10-1887 - Flat	1, 6 or 12/cs





**MESH CLEANING BASKET\***

PRODUCT NUMBER	DESCRIPTION	QUANTITIES
10-1729	4¼" x 7¼" x 2"	1 Each
10-1731	6" x 9" x 3"	1 Each
10-1732	20" x 10½" x 3½"	1 Each
10-1733	9½" x 16" x 4"	1 Each
10-1734	12" x 21" x 5"	1 Each
10-1736	14" x 20" x 5"	1 or 12/cs



**PERFORATED CLEANING BASKET**

PRODUCT NUMBER	DESCRIPTION	QUANTITIES
10-1560	12¾" x 10¾" x 6"	1 Each



**INSTRUMENT DRYING TRAYS\***

PRODUCT NUMBER	DESCRIPTION	QUANTITIES
10-1876	10" x 6½" x ¾"	1, 6 or 12/cs
10-1883	13⅛" x 9⅜" x ¾"	1, 6 or 12/cs
10-1884	15⅞" x 10⅝" x ¾"	1, 6 or 12/cs
10-1683	17" x 11⅞" x ¾"	1, 6 or 12/cs
10-1888	19⅞" x 12⅝" x ¾"	1, 6 or 12/cs
10-1680	21¼" x 16¼" x ⅞"	1, 6 or 12/cs



\*All products are packaged individually. Select products are available in bulk. To order larger quantities, simply add the package quantity to the end of the product number when ordering, ie. 10-1670-12 for 12/pk or 10-1670-48 for 48/pk.

**INSTRUMENT TRAYS, PERFORATED BOTTOM**

PRODUCT NUMBER	DESCRIPTION	QUANTITIES
10-1740	8 <sup>7</sup> / <sub>8</sub> " x 5" x 2"	1 Each
10-1874	10" x 6 <sup>1</sup> / <sub>2</sub> " x 2"	1 Each
10-1892	12" x 7 <sup>3</sup> / <sub>4</sub> " x 2"	1 Each
10-1879	12" x 7 <sup>3</sup> / <sub>4</sub> " x 2 <sup>1</sup> / <sub>2</sub> "	1 Each
10-1758	12 <sup>3</sup> / <sub>4</sub> " x 10 <sup>1</sup> / <sub>2</sub> " x 2 <sup>1</sup> / <sub>2</sub> "	1 Each
10-1862	12 <sup>3</sup> / <sub>4</sub> " x 10 <sup>1</sup> / <sub>2</sub> " x 4"	1 Each
10-1894	16 <sup>1</sup> / <sub>2</sub> " x 10" x 2 <sup>1</sup> / <sub>2</sub> "	1 Each
10-1895	20 <sup>3</sup> / <sub>4</sub> " x 12 <sup>3</sup> / <sub>4</sub> " x 2 <sup>1</sup> / <sub>2</sub> "	1 Each


**INSTRUMENT TRAYS, PERFORATED BOTTOM / SIDES\***

PRODUCT NUMBER	DESCRIPTION	QUANTITIES
10-1757	12 <sup>3</sup> / <sub>4</sub> " x 10 <sup>1</sup> / <sub>2</sub> " x 1 <sup>1</sup> / <sub>4</sub> "	1 Each
10-1697	12 <sup>3</sup> / <sub>4</sub> " x 10 <sup>1</sup> / <sub>2</sub> " x 2 <sup>1</sup> / <sub>2</sub> "	1 Each
10-1943	12 <sup>3</sup> / <sub>4</sub> " x 10 <sup>1</sup> / <sub>2</sub> " x 4"	1 Each
10-1944	12 <sup>3</sup> / <sub>4</sub> " x 10 <sup>1</sup> / <sub>2</sub> " x 6"	1 Each
10-1941	20 <sup>3</sup> / <sub>4</sub> " x 12 <sup>3</sup> / <sub>4</sub> " x 1 <sup>1</sup> / <sub>4</sub> "	1 Each
10-1759	20 <sup>3</sup> / <sub>4</sub> " x 12 <sup>3</sup> / <sub>4</sub> " x 2 <sup>1</sup> / <sub>2</sub> "	1 Each
10-1949	20 <sup>3</sup> / <sub>4</sub> " x 12 <sup>3</sup> / <sub>4</sub> " x 4"	1, 6 or 12/cs
10-1942	20 <sup>3</sup> / <sub>4</sub> " x 12 <sup>3</sup> / <sub>4</sub> " x 6"	1 Each


**INSTRUMENT TRAYS, SOLID\***

PRODUCT NUMBER	DESCRIPTION	COVERS	QUANTITIES
10-1755	6 <sup>7</sup> / <sub>8</sub> " x 4 <sup>1</sup> / <sub>4</sub> " x 2"	10-1737	1, 6 or 12/cs
10-1741	6 <sup>7</sup> / <sub>8</sub> " x 6 <sup>3</sup> / <sub>8</sub> " x 4" Heavyweight	10-1835	1 or 6/cs
10-1764	10" x 6 <sup>1</sup> / <sub>2</sub> " x 2"	10-1766	1 Each
10-1742	10 <sup>3</sup> / <sub>8</sub> " x 6 <sup>3</sup> / <sub>8</sub> " x 2 <sup>1</sup> / <sub>2</sub> "	10-1542	1, 6 or 12/cs
10-1877	12" x 7 <sup>3</sup> / <sub>4</sub> " x 2 <sup>1</sup> / <sub>4</sub> "	10-1878	1, 6 or 12/cs
10-1744	12 <sup>3</sup> / <sub>4</sub> " x 6 <sup>7</sup> / <sub>8</sub> " x 2 <sup>1</sup> / <sub>2</sub> "	10-1724	1, 6 or 12/cs
10-1746	12 <sup>3</sup> / <sub>4</sub> " x 10 <sup>1</sup> / <sub>2</sub> " x 2 <sup>1</sup> / <sub>2</sub> "	10-1882	1, 6 or 12/cs
10-1950	12 <sup>3</sup> / <sub>4</sub> " x 10 <sup>1</sup> / <sub>2</sub> " x 2 <sup>1</sup> / <sub>2</sub> " Heavyweight	10-1882	1, 6 or 12/cs
10-1747	12 <sup>3</sup> / <sub>4</sub> " x 10 <sup>1</sup> / <sub>2</sub> " x 4"	10-1882	1, 6 or 12/cs
10-1952	12 <sup>3</sup> / <sub>4</sub> " x 10 <sup>1</sup> / <sub>2</sub> " x 4" Heavyweight	10-1882	1, 6 or 12/cs
10-1870	12 <sup>3</sup> / <sub>4</sub> " x 10 <sup>1</sup> / <sub>2</sub> " x 6"	10-1882	1, 6 or 12/cs
10-1753	13 <sup>7</sup> / <sub>8</sub> " x 12 <sup>7</sup> / <sub>8</sub> " x 2 <sup>1</sup> / <sub>2</sub> "	10-1754	1, 6 or 12/cs
10-1748	16 <sup>1</sup> / <sub>2</sub> " x 10" x 2 <sup>1</sup> / <sub>2</sub> "	10-1756	1, 6 or 12/cs
10-1749	16 <sup>1</sup> / <sub>2</sub> " x 10" x 4"	10-1756	1 Each
10-1953	20 <sup>3</sup> / <sub>4</sub> " x 12 <sup>3</sup> / <sub>4</sub> " x 2 <sup>1</sup> / <sub>2</sub> " Heavyweight	10-1535	1, 6 or 12/cs
10-1954	20 <sup>3</sup> / <sub>4</sub> " x 12 <sup>3</sup> / <sub>4</sub> " x 4" Heavyweight	10-1535	1, 6 or 12/cs
10-1948	20 <sup>3</sup> / <sub>4</sub> " x 12 <sup>3</sup> / <sub>4</sub> " x 6"	10-1535	1, 6 or 12/cs



\*All products are packaged individually. Instrument trays and covers are sold separately unless otherwise noted. Select products are available in bulk. To order larger quantities, simply add the package quantity to the end of the product number when ordering, ie. 10-1670-12 for 12/cs or 10-1670-48 for 48/cs.

**STERILIZATION TRAY / BATH SETS**

PRODUCT NUMBER	DESCRIPTION	QUANTITIES		
10-1947	Large Set Includes:			
	Solid Tray	10-1948	20¾" x 12¾" x 6"	1
	Perforated Tray	10-1949	20¾" x 12¾" x 4"	1
	Cover	10-1535	20¾" x 12¾"	1
10-1679	Small Set Includes:			
	Solid Tray	10-1747	12¾" x 10½" x 4"	1
	Perforated Tray	10-1697	12¾" x 10½" x 2½"	1
	Cover	10-1882	12¾" x 10½"	1



**STERILIZATION TRAYS\***

PRODUCT NUMBER	DESCRIPTION	COVERS	QUANTITIES
10-1850	4 qt., 12¾" x 10½" x 2½"	10-1864	1 Each
10-1860	7 qt., 12¾" x 10½" x 4"	10-1864	1 Each
10-1750	5 ¼ qt., 20¾" x 6¾" x 4"	10-1854	1, 6 or 12/cs
10-1752	9 qt., 20¾" x 6¾" x 6"	10-1854	1, 6 or 12/cs
10-1953	8 ½ qt., 20¾" x 12¾" x 2½", Heavyweight	10-1535	1, 6 or 12/cs
10-1954	14 ½ qt., 20¾" x 12¾" x 4", Heavyweight	10-1535	1, 6 or 12/cs
10-1948	24 qt., 20¾" x 12¾" x 6"	10-1535	1, 6 or 12/cs



**PERFORATED STERILIZATION TRAYS**

PRODUCT NUMBER	DESCRIPTION	QUANTITIES
10-1710	10" x 6½" x 2½"	1 Each
10-1713	10" x 10½" x 3½"	1 Each
10-1714	15" x 10½" x 3½"	1 Each
10-1720	20" x 10½" x 3½"	1 Each
10-1957	20¾" x 12¾" x 4" Mesh bottom	1 Each



\*All products are packaged individually. Instrument trays and covers are sold separately unless otherwise noted. Select products are available in bulk. To order larger quantities, simply add the package quantity to the end of the product number when ordering, ie. 10-1670-12 for 12/cs or 10-1670-48 for 48/cs



**LIFTING HANDLES**

PRODUCT NUMBER	DESCRIPTION	QUANTITIES
10-1725	For Sterilization Trays	1 Pair



**FLASH STERILIZATION TRAY**

PRODUCT NUMBER	DESCRIPTION	QUANTITIES
10-1711	10" x 6½" x 2"	1 Each
10-1712	Single Handle for Flash Sterilization Tray 10-1711	1 Each



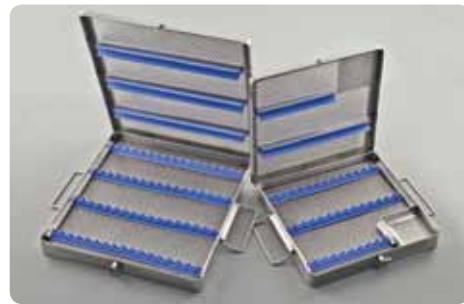
**DOUBLE DECKER MICRO TRAY**

PRODUCT NUMBER	DESCRIPTION	QUANTITIES
10-1717	10" x 15" x 2¼"	1 Each



**MICRO TRAY WITH HINGED LID**

PRODUCT NUMBER	DESCRIPTION	QUANTITIES
10-1706	8½" x 8" x 1¼" with 2½" x 2½" Compartment	1 Each
10-1707	8½" x 12" x 1⅞"	1 Each
10-1708	8½" x 14" x 1⅞"	1 Each
10-1702	10½" x 10" x 1⅞"	1 Each
10-1716	10½" x 20" x 2½" with 10½" x 5" Compartment	1 Each



PRODUCT NUMBER	DESCRIPTION	QUANTITIES
10-1700	8½" x 8" x 1¼"	1 Each
10-1703	10½" x 15" x 1¼"	1 Each



**MICRO TRAY WITH HINGED LID (Not pictured)**

PRODUCT NUMBER	DESCRIPTION	QUANTITIES
10-1701	10" x 6½" x 7⁄8"	1 Each

**STERILIZATION BOX (Not pictured)**

PRODUCT NUMBER	DESCRIPTION	QUANTITIES
10-1705	6⅜" x 3⅜" x 1¼"	1 Each

**WEINSTEIN INSTRUMENT STRINGERS**

PRODUCT NUMBER	DESCRIPTION	QUANTITIES
10-1800	5½" x 3¼"	1 Each
10-1805	11¼" x 3¼"	1 Each



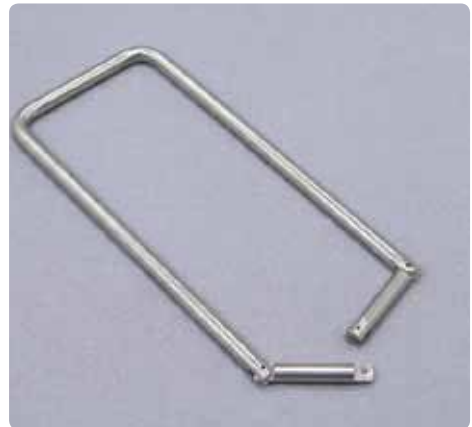
**INSTRUMENT STRINGERS**

PRODUCT NUMBER	DESCRIPTION	QUANTITIES
10-1340	2½" x 6"	1 Each
10-1342	2½" x 8"	1 Each
10-1344	2½" x 10"	1 Each
10-1346	2½" x 12"	1 Each
10-1347	2½" x 14"	1 Each
10-1348	2½" x 16"	1 Each
10-1349	2½" x 18"	1 Each



**E-Z LOCK INSTRUMENT STRINGERS**

PRODUCT NUMBER	DESCRIPTION	QUANTITIES
10-1806	2½" x 6"	1 Each
10-1808	2½" x 8"	1 Each
10-1810	2½" x 10"	1 Each
10-1812	2½" x 12"	1 Each
10-1814	2½" x 14"	1 Each
10-1816	2½" x 16"	1 Each
10-1818	2½" x 18"	1 Each
10-1826	5" x 6"	1 Each
10-1828	5" x 8"	1 Each
10-1830	5" x 10"	1 Each
10-1832	5" x 12"	1 Each
10-1834	5" x 14"	1 Each
10-1836	5" x 16"	1 Each
10-1838	5" x 18"	1 Each



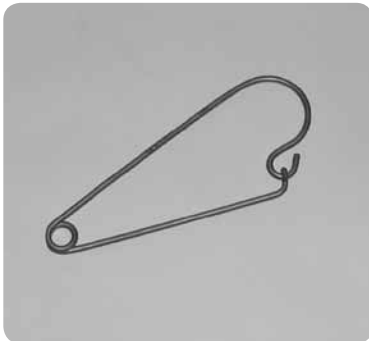
**WEISENBACH INSTRUMENT HOLDER**

PRODUCT NUMBER	DESCRIPTION	QUANTITIES
10-1775	6"	1 Each
10-1776	12"	1 Each



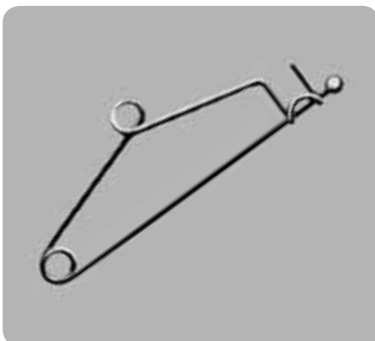
**BUNT INSTRUMENT STRINGER**

PRODUCT NUMBER	DESCRIPTION	QUANTITIES
10-1770	5¼" x 1½"	1 Each



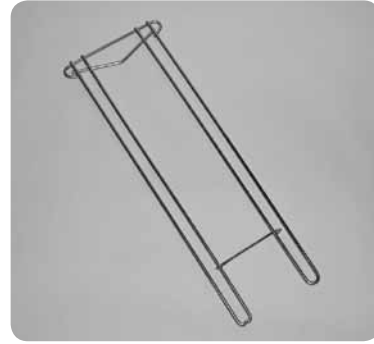
**MAYO INSTRUMENT HOLDER**

PRODUCT NUMBER	DESCRIPTION	QUANTITIES
10-1772	5½"	1 Each



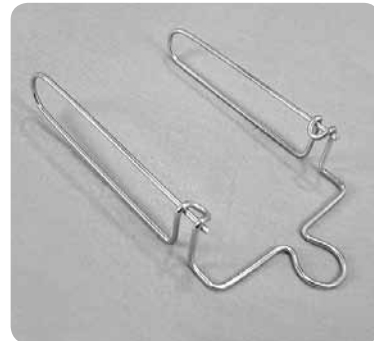
**WORCESTER INSTRUMENT HOLDER**

PRODUCT NUMBER	DESCRIPTION	QUANTITIES
10-1839	13" x 3"	1 Each



**SAUNDERS INSTRUMENT RACK**

PRODUCT NUMBER	DESCRIPTION	QUANTITIES
10-1780	6" x 4"	1 Each



**POSILOCK INSTRUMENT RACK**

PRODUCT NUMBER	DESCRIPTION	QUANTITIES
10-1763		1 Each



# SKLARLITE™

## STERILIZATION CONTAINER SYSTEM

### Pre-Vacuum Steam Sterilization

The SklarLite™ Rigid Sterilization Container System provides an organized, routine and secure approach to the sterilization of surgical instruments. Customize your SklarLite™ System by selecting colored lids and ID labels. Available in your choice of six vibrant colors for easy identification of instrument sets by procedure and/or department. Choose from various configurations to fit your surgery center needs.

- Anodized aluminum alloy is strong and durable yet lightweight and easy to handle.
- Stackable Containers maximizes space in the autoclave and storage shelf space; reduces cycle runs.
- Stackable Baskets provide ease of instrument transfer per procedure and maximizes space inside containers.
- Silicon mats secure delicate and laparoscopic instruments to minimize damage.
- Tamper evident seals prevent accidental sterile field breach.
- Long Lasting Sterilization.



#### STANDARD CONTAINERS



Consists of a body and perforated lid and used with Sklar's disposable filters and other compatible accessories for sterilization. Choose from either perforated or non-perforated bottoms. Lids available in six different colors for easy identification by procedure or department.

#### SAFE CONTAINERS



Consists of identical body and perforated lid, but features an additional solid cover that safeguards the perforation field and contents during transportation and storage. Choose from either perforated or non-perforated bottoms. Safety lids available in six different colors for easy identification by procedure or department.

**SKLARLITE™ HALF-SIZE CONTAINERS**

11¼" L X 11" W

STANDARD CONTAINERS			SAFE CONTAINERS	
Non-Perforated Bottom	Perforated Bottom	Size	Non-Perforated Bottom	Perforated Bottom
10-4500	10-4512	4"	10-4524	10-4536
10-4502	10-4514	4"	10-4526	10-4538
10-4504	10-4516	4"	10-4528	10-4540
10-4506	10-4518	4"	10-4530	10-4542
10-4508	10-4520	4"	10-4532	10-4544
10-4510	10-4522	4"	10-4534	10-4546
10-4548	10-4560	5"	10-4572	10-4584
10-4550	10-4562	5"	10-4574	10-4586
10-4552	10-4564	5"	10-4576	10-4588
10-4554	10-4566	5"	10-4578	10-4590
10-4556	10-4568	5"	10-4580	10-4592
10-4558	10-4570	5"	10-4582	10-4594
10-4596	10-4608	6"	10-4620	10-4632
10-4598	10-4610	6"	10-4622	10-4634
10-4600	10-4612	6"	10-4624	10-4636
10-4602	10-4614	6"	10-4626	10-4638
10-4604	10-4616	6"	10-4628	10-4640
10-4606	10-4618	6"	10-4630	10-4642
10-4644	10-4656	8"	10-4668	10-4680
10-4646	10-4658	8"	10-4670	10-4682
10-4648	10-4660	8"	10-4672	10-4684
10-4650	10-4662	8"	10-4674	10-4686
10-4652	10-4664	8"	10-4676	10-4688
10-4654	10-4666	8"	10-4678	10-4690
10-4692	10-4704	10"	10-4716	10-4728
10-4694	10-4706	10"	10-4718	10-4730
10-4696	10-4708	10"	10-4720	10-4732
10-4698	10-4710	10"	10-4722	10-4734
10-4700	10-4712	10"	10-4724	10-4736
10-4702	10-4714	10"	10-4726	10-4738



**ACCESSORIES**

PRODUCT NUMBER	MODEL	FEATURES
10-4784	Half Size Wire Basket	9½" x 10" x 1"
10-4786	Half Size Wire Basket	9½" x 10" x 2"
10-4788	Half Size Wire Basket	9½" x 10" x 3"
10-4790	Half Size Wire Basket	9½" x 10" x 4"
10-4970	Half Size Silicon Mat	8½" x 9"





**SKLARLITE™ MID-SIZE CONTAINERS**

18¼" L X 11" W

STANDARD CONTAINERS			SAFE CONTAINERS	
Non-Perforated Bottom	Perforated Bottom	Size	Non-Perforated Bottom	Perforated Bottom
10-4300	10-4312	4"	10-4324	10-4336
10-4302	10-4314	4"	10-4326	10-4338
10-4304	10-4316	4"	10-4328	10-4340
10-4306	10-4318	4"	10-4330	10-4342
10-4308	10-4320	4"	10-4332	10-4344
10-4310	10-4322	4"	10-4334	10-4346
10-4348	10-4360	5"	10-4370	10-4382
10-4350	10-4361	5"	10-4372	10-4384
10-4352	10-4362	5"	10-4374	10-4386
10-4354	10-4364	5"	10-4376	10-4388
10-4356	10-4366	5"	10-4378	10-4390
10-4358	10-4368	5"	10-4380	10-4392
10-4394	10-4406	6"	10-4418	10-4430
10-4396	10-4408	6"	10-4420	10-4432
10-4398	10-4410	6"	10-4422	10-4434
10-4400	10-4412	6"	10-4424	10-4436
10-4402	10-4414	6"	10-4426	10-4438
10-4404	10-4416	6"	10-4428	10-4440



**ACCESSORIES**

PRODUCT NUMBER	MODEL	FEATURES
10-4478	Mid Size Wire Basket	16" x 10" x 1"
10-4480	Mid Size Wire Basket	16" x 10" x 2"
10-4482	Mid Size Wire Basket	16" x 10" x 3"
10-4484	Mid Size Wire Basket	16" x 10" x 4"
10-4975	Mid Size Silicon Mat	15" x 9"



**GENERAL ACCESSORIES**

Complete any SklarLite™ Container System by selecting disposable filters, indicators and labels to maximize security in preparation and maintenance of surgical sets and sterile materials.

PRODUCT NUMBER	MODEL	FEATURES
10-4900	Process Indicator Cards	Steam, 250/Bx
10-4910	Disposable Filters	100/Pk
10-4925	Security Seals	100/Pk
10-4930	ID Labels*	Silver
10-4930ENG	ID Labels*	Silver Custom Engraved, Max. 16 Characters

\*Choose from six vibrant colors including Silver, Yellow, Red, Blue, Green or Black. Contact your Sklar Account Manager for information on the complete product line.



**SKLARLITE™ FULL-SIZE CONTAINERS**

23" L X 11" W

STANDARD CONTAINERS			SAFE CONTAINERS	
Non-Perforated Bottom	Perforated Bottom	Size	Non-Perforated Bottom	Perforated Bottom
10-4000	10-4012	4"	10-4024	10-4036
10-4002	10-4014	4"	10-4026	10-4038
10-4004	10-4016	4"	10-4028	10-4040
10-4006	10-4018	4"	10-4030	10-4042
10-4008	10-4020	4"	10-4032	10-4044
10-4010	10-4022	4"	10-4034	10-4046
10-4048	10-4060	5"	10-4072	10-4084
10-4050	10-4062	5"	10-4074	10-4086
10-4052	10-4064	5"	10-4076	10-4088
10-4054	10-4066	5"	10-4078	10-4090
10-4056	10-4068	5"	10-4080	10-4092
10-4058	10-4070	5"	10-4082	10-4094
10-4096	10-4108	6"	10-4120	10-4132
10-4098	10-4110	6"	10-4122	10-4134
10-4100	10-4112	6"	10-4124	10-4136
10-4102	10-4114	6"	10-4126	10-4138
10-4104	10-4116	6"	10-4128	10-4140
10-4106	10-4118	6"	10-4130	10-4142
10-4144	10-4156	8"	10-4168	10-4180
10-4146	10-4158	8"	10-4170	10-4182
10-4148	10-4160	8"	10-4172	10-4184
10-4150	10-4162	8"	10-4174	10-4186
10-4152	10-4164	8"	10-4176	10-4188
10-4154	10-4166	8"	10-4178	10-4190
10-4192	10-4204	10"	10-4216	10-4228
10-4194	10-4206	10"	10-4218	10-4230
10-4196	10-4208	10"	10-4220	10-4232
10-4198	10-4210	10"	10-4222	10-4234
10-4200	10-4212	10"	10-4224	10-4236
10-4202	10-4214	10"	10-4226	10-4238



**ACCESSORIES**

PRODUCT NUMBER	MODEL	FEATURES
10-4284	Full Size Wire Basket	21¼" x 10" x 1"
10-4286	Full Size Wire Basket	21¼" x 10" x 2"
10-4288	Full Size Wire Basket	21¼" x 10" x 3"
10-4290	Full Size Wire Basket	21¼" x 10" x 4"
10-4985	Full Size Silicon Mat	20½" x 9"

## INSTRUMENT CASSETTES

Organized Procedure Kits save time and improve safety! Sklar is pleased to introduce a new line of cassette trays to organize and protect instruments during handling and transportation. Removable, silicone instrument holders afford you the option of an open configuration in any cassette. Cassettes with detachable lids feature moveable instrument holders to customize instrument configuration. Choose from various cassette sizes and styles to fit your needs.

- High quality, heavy gauge stainless steel.
- Optimum slot position for effective cleaning and drainage.
- Easy open/closing latch system.
- Silicone Inserts for secure instrument placement.



### SMALL CASSETTES

Typical Applications Include:

- Diagnostic Kit
- Root Planning Kit
- New Patient Kit
- Composite Kit



PRODUCT NUMBER	SIZE	CONFIGURATION	FEATURES
10-6500	7" x 2 <sup>3</sup> / <sub>4</sub> " x 1 <sup>1</sup> / <sub>3</sub> "	5 Instruments	Detachable Lid/Instrument Holders
10-6501	7" x 2 <sup>1</sup> / <sub>3</sub> " x <sup>9</sup> / <sub>7</sub> "	5 Instruments	Fixed Lid/Instrument Holders

### MEDIUM CASSETTES

Typical Applications Include:

- Hygiene Kit
- Restoration Kit
- Cavity Prep Kit
- Endo Kit
- Crown & Bridge Kit



PRODUCT NUMBER	SIZE	CONFIGURATION	FEATURES
10-6505	7" x 4 <sup>1</sup> / <sub>3</sub> " x 1 <sup>1</sup> / <sub>3</sub> "	7 Instruments	Detachable Lid/Instrument Holders
10-6506	7" x 3 <sup>1</sup> / <sub>2</sub> " x <sup>6</sup> / <sub>7</sub> "	7 Instruments	Fixed Lid/Instrument Holders

**MEDIUM CASSETTES, CONTINUED**



PRODUCT NUMBER	SIZE	CONFIGURATION	FEATURES
10-6510	7" x 5¾" x 1⅓"	10 Instruments	Detachable Lid/Instrument Holders
10-6511	7" x 5" x ⅞"	10 Instruments	Fixed Lid/Instrument Holders

**LARGE CASSETTES**

Typical Applications Include:

- Periodontal Surgery
- Restoration Kit
- Extraction



PRODUCT NUMBER	SIZE	CONFIGURATION	FEATURES
10-6515	11½" x 7" x 1⅓"	20 Instruments	Detachable Lid/Instrument Holders
10-6516	11" x 7¼" x 1"	20 Instruments	Fixed Lid/Instrument Holders

**EXTRA LARGE CASSETTE**

Available with specially designed silicone inserts to hold up to 12 extracting forceps. Or choose the open configuration recommended for large surgical instrument sets.



PRODUCT NUMBER	SIZE	CONFIGURATION	FEATURES
10-6520	15" x 8¼" x 1½"	12 Forceps	Detachable Lid/Instrument Holders
10-6521	15" x 8¼" x 1½"	Open	Detachable Lid

**INSTRUMENT HOLDERS**

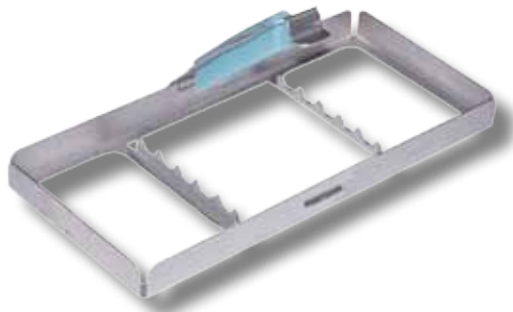
**UNIVERSAL**

PRODUCT NUMBER	SIZE	CONFIGURATION	FEATURES
10-6531	5"	10 Instruments	3 pc Silicone Set, Blue
10-6536	10½"	20 Instruments	3 pc Silicone Set, Blue



**CLIP IN CASSETTES**

PRODUCT NUMBER	SIZE	CONFIGURATION	FEATURES
10-6525	7" x 2⅓" x ⅞"	5 Instruments	Open top and bottom



PRODUCT NUMBER	SIZE	CONFIGURATION	FEATURES
10-6526	7" x 3½" x 1"	10 Instruments	Open Top with Instrument Holders



Replacement instrument holders, in various colors are also available. Contact your Sklar Account Manager for more information.

**MEDICINE CUPS**

STERILE

PRODUCT NUMBER	FEATURES	QUANTITIES
96-7027	2 oz.	25/cs


**PITCHERS\***

STERILE

PRODUCT NUMBER	FEATURES	QUANTITIES
96-7268	Open Handle, 1200ml	5/cs

NON-STERILE

96-7270	Open Handle, 1200ml	35/cs
---------	---------------------	-------



NON-STERILE

PRODUCT NUMBER	FEATURES	QUANTITIES
10-1546	Graduated Measure, 16 oz., Reusable	1 or 6/cs


**SPECIMEN TUBES**

STERILE

PRODUCT NUMBER	FEATURES	QUANTITIES
96-7459	3½" x ½"	3/pk, 50pk/cs, 150/cs


**PLASTIC BOWLS**

STERILE

PRODUCT NUMBER	FEATURES	QUANTITIES
96-7028	8 oz.	25/cs
96-7020	16 oz.	10/cs
96-7174	32 oz.	20/cs
96-7451	48 oz.	5/cs



\*Select products are available individually or in bulk packaging. To order large quantities, simply add the package quantity to the end of the product number when ordering, ie. 10-1670-12 for 12/pk or 10-1670-48 for 48/pk.

**EMESIS BASINS**

NON-STERILE

PRODUCT NUMBER	FEATURES	QUANTITIES
96-7543	700cc	25/cs



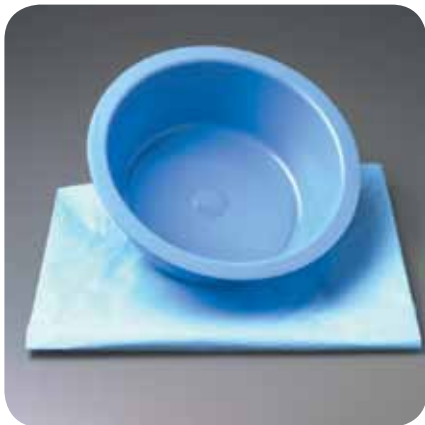
**OR BASINS**

STERILE

PRODUCT NUMBER	FEATURES	QUANTITIES
96-1679	Round, 7 qt., Blue	5/cs

NON-STERILE

08-1011	Round, 5 qt., Pink	50/cs
---------	--------------------	-------



\*Select products are available individually or in bulk packaging. To order large quantities, simply add the package quantity to the end of the product number when ordering, ie. 10-1670-12 for 12/pk or 10-1670-48 for 48/pk.

**GUIDEWIRE BOWLS**

STERILE

PRODUCT NUMBER	FEATURES	QUANTITIES
96-1630	8 1/4" x 3"	10/cs



**UTILITY BOWLS\***

NON-STERILE

PRODUCT NUMBER	FEATURES	QUANTITIES
10-1502	Sponge/Utility Bowl, Aqua, 1 1/4 qt.	1 or 12/cs



NON-STERILE

PRODUCT NUMBER	FEATURES	QUANTITIES
10-1504	Solution Bowl, Reusable, Lt Green, 7 qt.	1 or 12/cs



**PLASTIC TRAYS**
**STERILE**

PRODUCT NUMBER	FEATURES	QUANTITIES
96-7025	Small Shallow Prep	25/cs
96-7033	Half Shallow	25/cs
96-7024	Half Deep	25/cs
96-7175	Full Deep	25/cs
96-7177	2-Compartment	25/cs
96-7178	3-Compartment	25/cs


**PROCEDURE TRAYS\***
**NON-STERILE**

PRODUCT NUMBER	FEATURES	QUANTITIES
10-1960	Mini, Non-Perforated, Blue, 10 <sup>1</sup> / <sub>8</sub> " x 6 <sup>5</sup> / <sub>8</sub> "	1 Each
10-1965	Mini, Perforated, Blue, 10 <sup>1</sup> / <sub>8</sub> " x 6 <sup>5</sup> / <sub>8</sub> "	1, 6 or 12/cs
10-1961	Small, Non-Perforated, Blue, 10 <sup>7</sup> / <sub>16</sub> " x 13 <sup>9</sup> / <sub>16</sub> "	1 Each
10-1966	Small, Perforated, Blue, 10 <sup>7</sup> / <sub>16</sub> " x 13 <sup>9</sup> / <sub>16</sub> "	1, 6 or 12/cs
10-1962	Medium, Non-Perforated, Blue, 11 <sup>3</sup> / <sub>4</sub> " x 16"	1 Each
10-1967	Medium, Perforated, Blue, 11 <sup>3</sup> / <sub>4</sub> " x 16"	1, 6 or 12/cs
10-1964	Large, Heavy Duty, Non-Perforated, Blue, 15" x 20"	1 Each


**SOAKING TRAYS WITH REMOVABLE BASKET**
**NON-STERILE**

PRODUCT NUMBER	FEATURES	QUANTITIES
10-2555	Small Instrument Tray, 8" x 3 <sup>1</sup> / <sub>2</sub> " x 2"	1 Each
10-2556	Large Instrument Tray, 10" x 5" x 2 <sup>1</sup> / <sub>2</sub> "	1 Each
10-2557 (not pictured)	Round Cup Size Tray, 3" x 3", 4 oz.	1 Each

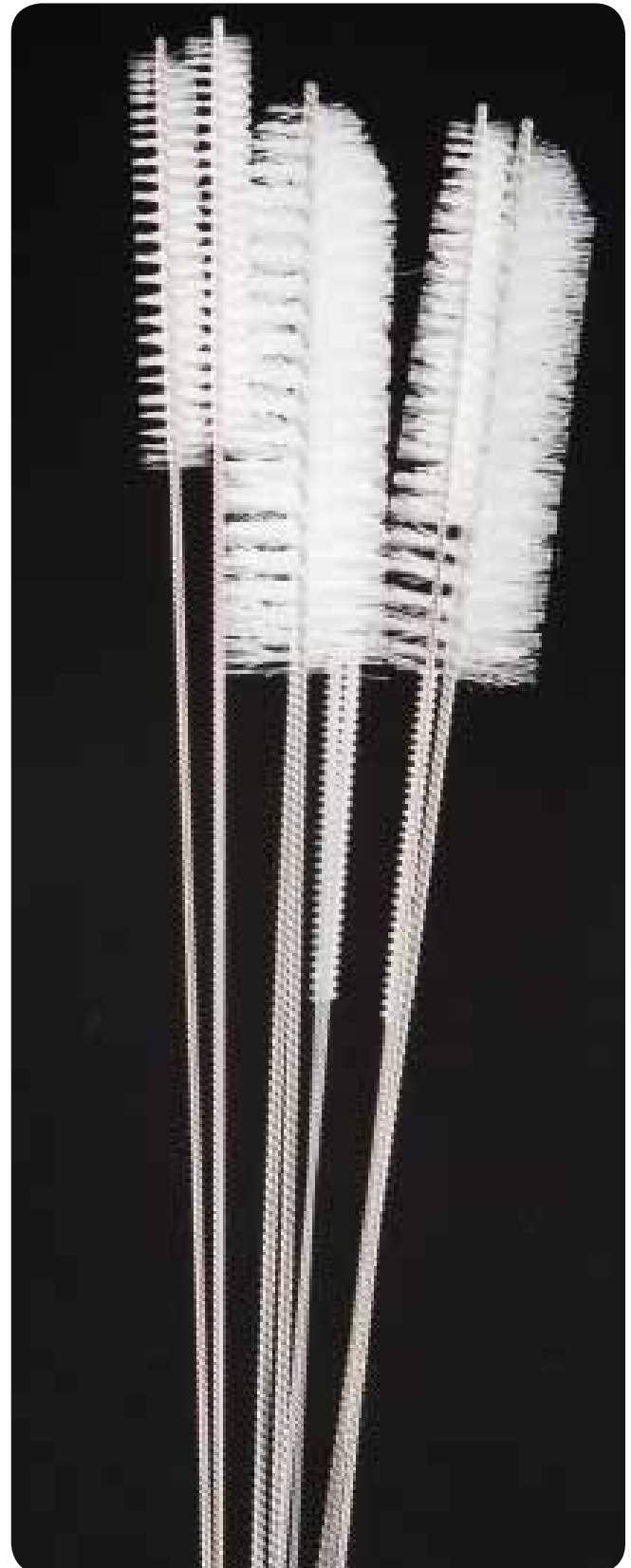


\*Select products are available individually or in bulk packaging. To order large quantities, simply add the package quantity to the end of the product number when ordering, ie. 10-1670-12 for 12/pk or 10-1670-48 for 48/pk.



**CANNULA CLEANING BRUSHES**

PRODUCT NUMBER	FEATURES		QUANTITIES
10-1350	12"	2mm Diameter	3/pk
10-1660	12"	3mm Diameter	3/pk
10-1661	12"	3mm Diameter	12/pk
10-1663	12"	3mm Diameter	24/pk
10-1352	12"	4mm Diameter	3/pk
10-1354	12"	5mm Diameter	3/pk
10-1356	12"	6mm Diameter	3/pk
10-1664	15"	9mm Diameter	3/pk
10-1665	15"	9mm Diameter	12/pk
10-1666	15"	9mm Diameter	24/pk
10-1668	15"	25mm Diameter	3/pk
10-1669	15"	25mm Diameter	12/pk
10-1672	15"	25mm Diameter	24/pk
10-1362	18"	5mm Diameter	3/pk
10-1364	18"	10mm Diameter	3/pk
10-1366	18"	15mm Diameter	3/pk
78-2824	19"	8mm Diameter	3/pk
10-1370	24"	2.5mm Diameter	3/pk
10-1372	24"	5mm Diameter	3/pk
10-1374	24"	7mm Diameter	3/pk
10-1376	24"	10mm Diameter	3/pk



**TRACHEAL TUBE BRUSHES**

PRODUCT NUMBER	FEATURES	QUANTITIES
78-2821	Small, 6" x 1/2" Diameter	6/pk
78-2822	Medium, 7" x 5/8" Diameter	6/pk


**INSTRUMENT CLEANING BRUSHES  
(STAINLESS BRISTLES)**

PRODUCT NUMBER	FEATURES	QUANTITIES
10-1650	Stainless Steel Bristles	3/pk
10-1652	Stainless Steel Bristles	12/pk
10-1658	Stainless Steel Bristles	24/pk


**INSTRUMENT CLEANING BRUSHES  
(NYLON BRISTLES)**

PRODUCT NUMBER	FEATURES	QUANTITIES
10-1651	Nylon Bristles	3/pk
10-1657	Nylon Bristles	12/pk
10-1659	Nylon Bristles	24/pk
10-1465	Nylon Bristles, Disposable	12/pk
10-1468	Nylon Bristles, Disposable	24/pk


**INSTRUMENT CLEANING BRUSHES  
(DOUBLE ENDED)**

PRODUCT NUMBER	FEATURES	QUANTITIES
10-1444	Nylon Bristles	3/pk


**INSTRUMENT CLEANING BRUSHES  
(DOUBLE TAPERED)**

PRODUCT NUMBER	FEATURES	QUANTITIES
10-1384	6", Double Tapered Brush	3/pk
10-1388	8", Double Tapered Brush	3/pk

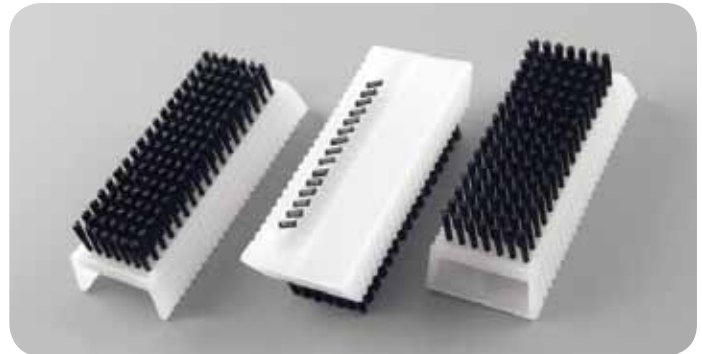


**SUCTION TUBE CLEANING BRUSHES  
(BARON & FRAZIER)**

PRODUCT NUMBER	FEATURES	QUANTITIES
10-1396	6" 1.6mm	3/pk
10-1400	8" 2mm	3/pk
10-1401	8" 2.3mm	3/pk
10-1402	8" 2.6mm	3/pk
10-1403	8" 3mm	3/pk
10-1404	8" 3.3mm	3/pk
10-1405	8" 3.6mm	3/pk
10-1406	8" 4mm	3/pk


**SURGICAL SCRUB BRUSHES**

PRODUCT NUMBER	FEATURES	QUANTITIES
06-2880	With Channel Back	1 Each
06-2870	With Channel Back	12/pk
06-2882	With Nail Scrubber	1 Each
06-2873	With Nail Scrubber	12/pk
06-2881	Standard	1 Each
06-2872	Standard	12/pk


**CANNULA INSTRUMENT (PIPE)  
CLEANERS**

PRODUCT NUMBER	FEATURES	QUANTITIES
10-1470	12" Length 1/8" Diameter	3/pk
10-1472	12" Length 1/4" Diameter	3/pk


**DOUBLE END VALVE BRUSHES**

PRODUCT NUMBER	FEATURES	QUANTITIES
10-1398	5 3/4" Length 9mm and 5mm Diameter Nylon Tips	3/pk



## BRUSHES

### SURFACE CLEANING BRUSH

FOR USE ON SINKS, AUTOCLAVES, ULTRASONIC CLEANERS, BOWLS, BASINS, ETC.

PRODUCT NUMBER	FEATURES	QUANTITIES
10-1418	3 ¼" L x 3" W Brush Head 4 ½" Plastic handle 2" White medical grade Nylon bristles	3/pk



### LARGE INSTRUMENT CLEANING BRUSH

FOR USE ON RETRACTORS, SPECULA, ETC.

PRODUCT NUMBER	FEATURES	QUANTITIES
10-1420	7" L x 1 ¼" W Brush Head 7 ½" Plastic Handle Overall Length 14 ½" 1" White medical grade Nylon bristles	3/pk



### AUTOCLAVE CLEANING BRUSH

FOR USE ON AUTOCLAVE CHAMBERS AND DOORS, SINKS, CARTS, ETC.

PRODUCT NUMBER	FEATURES	QUANTITIES
10-1422	3 ¼" L x 3" W Brush Head 16" Plastic handle 2" White medical grade Nylon bristles	3/pk



### INSTRUMENT SPOT REMOVER PAD

FOR USE ON O.R. GRADE SATIN FINISH INSTRUMENTS

PRODUCT NUMBER	FEATURES	QUANTITIES
10-1414	6" x 9"	1 Each
10-1415	6" x 9"	10/pk



### BRUSH DRYING RACK & BRUSH HOLDER

PRODUCT NUMBER	FEATURES	QUANTITIES
10-1399	Brush Rack	1 Each
10-1545	Brush Holder	1 Each



**10-1426—INSTRUMENT CLEANING BRUSH SET**

PRODUCT NUMBER	DESCRIPTION	QUANTITIES
10-1660	Cannula Cleaning Brush 12" 3mm, 3/pk	1 pk
10-1362	Cannula Cleaning Brush 18" 5mm, 3/pk	1 pk
10-1374	Cannula Cleaning Brush 24" 7mm, 3/pk	1 pk
10-1376	Cannula Cleaning Brush 24" 10mm, 3/pk	1 pk
10-1396	Suction Tube Brush 6" 1.6mm, 3/pk	1 pk
10-1400	Suction Tube Brush 8" 2mm, 3/pk	1 pk
10-1402	Suction Tube Brush 8" 2.6mm, 3/pk	1 pk
10-1404	Suction Tube Brush 8" 3.3mm, 3/pk	1 pk
10-1406	Suction Tube Brush 8" 4mm, 3/pk	1 pk
10-1418	Surface Cleaning Brush, 3/pk	1 pk
10-1444	Double End Brush Nylon, 3/pk	2 pks
10-1650	Brush Stainless Steel Bristle, 3/pk	1 pk
10-1651	Brush Nylon Bristle, 3/pk	2 pks



**10-1428—ENDOSCOPIC BRUSH SET**

PRODUCT NUMBER	DESCRIPTION	QUANTITIES
10-1350	Cannula Cleaning Brush 12" 2mm, 3/pk	1 pk
10-1660	Cannula Cleaning Brush 12" 3mm, 3/pk	1 pk
10-1354	Cannula Cleaning Brush 12" 5mm, 3/pk	1 pk
10-1362	Cannula Cleaning Brush 18" 5mm, 3/pk	1 pk
10-1364	Cannula Cleaning Brush 18" 10mm, 3/pk	1 pk
10-1370	Cannula Cleaning Brush 24" 2.5mm, 3/pk	1 pk
10-1372	Cannula Cleaning Brush 24" 5mm, 3/pk	1 pk
10-1376	Cannula Cleaning Brush 24" 10mm, 3/pk	1 pk
10-1398	Double End Valve Brush Nylon, 3/pk	2 pks
10-1444	Double End Brush Nylon, 3/pk	2 pks



**10-1424—CLEANING BRUSH SET**

PRODUCT NUMBER	DESCRIPTION	QUANTITIES
10-1424HDL	Telescopic Handle extends from 24" to 48"	1 Each
10-1424PBR	Large Cleaning Brush 7½" L x 5½" W with round corner bristles	1 Each
10-1424BHD	Surface Cleaning Brush, 4½" handle	1 Each



**10-1432—MICRO BRUSH SET**

PRODUCT NUMBER	DESCRIPTION	QUANTITIES
10-1350	Cannula Cleaning Brush 12" 2mm, 3/pk	1 pk
10-1660	Cannula Cleaning Brush 12" 3mm, 3/pk	1 pk
10-1396	Suction Tube Brush 6" 1.6mm, 3/pk	1 pk
10-1400	Suction Tube Brush 8" 2mm, 3/pk	1 pk
10-1402	Suction Tube Brush 8" 2.6mm, 3/pk	1 pk
10-1404	Suction Tube Brush 8" 3.3mm, 3/pk	1 pk
10-1406	Suction Tube Brush 8" 4mm, 3/pk	1 pk
10-1444	Double End Brush Nylon, 3/pk	1 pk



**10-1434—ALL PURPOSE BRUSH SET**

PRODUCT NUMBER	DESCRIPTION	QUANTITIES
10-1650	Brush Stainless Steel Bristle 3/pk	1 pk
10-1651	Brush Nylon Bristle 3/pk	1 pk
10-1420	Large Instrument Cleaning Brush 3/pk	1 pk
10-1418	Surface Cleaning Brush 3/pk	1 pk



Sklar™ is pleased to offer a full line of Care & Cleaning agents to disinfect, decontaminate, sterilize, lubricate and protect your stainless steel surgical instruments and equipment. For expert care of your surgical instruments at every stage of the cleaning process, trust Sklar to deliver the right cleaning agent for you.



### 3 EASY STEPS FOR THE CARE AND CLEANING OF YOUR INSTRUMENTS

#### 1 DECONTAMINATION

Sklar Disinfectants are a pre-cleaner and disinfectant for the safe decontamination of soiled surgical instruments, medical and surgical equipment and inanimate surfaces including plastics, stainless steel, chrome, glass, Plexiglas and baked on painted surfaces. Disinfectants are effective against a broad range of pathogens in as little as 2 minutes.



#### 2 CLEANING

Sklar carries a complete line of effective detergents and enzymatics for cleaning, not only for your surgical instruments, but also metals, glassware, plastic and rubber. Available in your choice of power, liquid concentrate or spray foams.



#### 3 LUBRICATION

To guarantee extended life and performance of your surgical instruments, choose one of Sklar's lubricants or sprays as the final step in your instrument processing regimen. Specifically designed to protect against corrosion, rust and staining, Sklar offers several different types of lubricants to protect your investments.



# SKLAR-CIDE™

## HIGH LEVEL DISINFECTING/STERILIZING SOLUTION

**Sporicidal • Bactericidal • Virucidal • Fungicidal**

SKLAR-CIDE provides a safe and efficient means for the high-level disinfection or sterilization of medical, ophthalmic, dental and surgical devices including endoscopes and lensed instruments. It may be used as a standard soak solution or in automatic reprocessing units set at room temperature. Unlike other solutions, there is no need to increase the solution temperature to provide high-level disinfection in 25 minutes.

SKLAR-CIDE is a surfactant-free, activated glutaraldehyde liquid chemical sterilant and high-level disinfectant. Its active ingredient is glutaraldehyde in a nominal concentration of 3%. When the powdered activator is added, the solution turns green in color to indicate its readiness for use. In addition to the active ingredient, this ready-to-use solution contains buffers, wetting agents, and a rust and corrosion inhibitor and it has a pleasant fragrance.

SKLAR-CIDE produces high-level disinfection at room temperature in as little time as 25 minutes, and complete sterilization in 10 hours at room temperature.

- Reusable for 28 days instead of 14, safer and saves time and money.
- Surfactant free - Will not damage scope surfaces or cloud lenses.
- Can be used safely on all devices, including instruments and endoscopes. No need to stock several products.



PRODUCT NUMBER	FEATURES	QUANTITIES
10-1623	28 HLD 1 Gallon Bottles	4/case
10-1624	28 HLD 1 Gallon Bottle	1 bottle

### GLUTARALDEHYDE STRIPS

PRODUCT NUMBER	FEATURES	QUANTITIES
96-4105	2.1% MEC 60 Strips / Bottle	2 bottles/ case





# SKLAR DISINFECTANT

READY-TO-USE SPRAY SURFACE DISINFECTANT

## 2 MINUTE KILL TIME!

- Ready to use, non-toxic formula.
- Specially formulated for the control of cross contamination.
- Effective against a broad range of pathogens including H1N1, HIV-1, HPV, VRE, Norovirus, Hep B & C as well as TB, MRSA, A. Baumannii, and C. Diff in its vegetative form. Safe for all areas of the facility including the NICU, operating rooms, isolation rooms, patient care areas and laboratories. Safe for all areas of the facility.
- Satisfies OSHA’s Bloodborne Pathogen Standards.
- Non-irritating formula.
- EPA registered.

PRODUCT NUMBER	FEATURES	QUANTITIES
10-1643	24 oz. Spray Bottles	6/case
10-1642	24 oz. Spray Bottle	1 bottle
10-1653	1 Gallon Bottles	4/case
10-1654	1 Gallon Bottle	1 bottle
10-1644	2.5 Gallon Bottles	2/case



# SKLAR DISINFECTANT SURFACE WIPES

READY-TO-USE, PRE-MOISTENED TOWELETTES

**2 MINUTE KILL TIME!**

**SAME EFFECTIVE FORMULA AS  
SKLAR DISINFECTANT!**

- Ready to use, non-toxic formula.
- Specially formulated for the control of cross contamination.
- Effective against a broad range of pathogens including H1N1, HIV-1, HPV, VRE, Norovirus, Hep B & C as well as TB, MRSA, A. Baumannii, and C. Diff in its vegetative form.
- Safe for all areas of the facility.
- Satisfies OSHA's Bloodborne Pathogen Standards.
- Destroys odor-causing bacteria.
- 7" x 10" non-woven, tear resistant towelette.
- Clean scent.
- EPA registered.

PRODUCT NUMBER	FEATURES	QUANTITIES
10-1616	100 Towelettes / Canister	6/case
10-1617	100 Towelettes / Canister	12/case



**KILLS MRSA AND H1N1 VIRUS**

# SKLAR SPRAY-ZYME™

## SURGICAL INSTRUMENT PRE-CLEANER

### Multi-Enzyme Based Instrument Presoak & Cleaner Foam Spray Cleaner

The newest product from Sklar for expert care of your surgical instruments. This multi-enzymatic spray creates a heavy foam which lasts for hours, keeping soiled instruments moist to avoid encrustation while also pre-cleaning prior to processing.

- Prevents Organic Encrustation - enzyme foam stops blood and bodily fluids from drying onto surgical instruments.
- No More Spills - messy spills between the operating room and central cleaning / processing department are eliminated.
- Neutral pH - safe and effective for stainless steel, tungsten carbide, aluminum and brass instruments.
- Bacteriostatic - microbiological control agents inhibit bacterial growth in the ready-to-use foam solution.
- Long Lasting Foam - saves time, foam lasts many hours after application.
- Multi-Enzymatic - contains a synergistic blend of lipase and protease enzymes.

PRODUCT NUMBER	FEATURES	QUANTITIES
10-2722	22 oz. Refillable Spray Bottles	12/case
10-2724	1 Gallon Bottles	4/case



# SKLAR SOAK™

## INSTRUMENT PRE-SOAK & DECONTAMINANT RUST RESISTANT!

Immersing soiled instruments in SKLAR SOAK effectively pre-cleans and decontaminates, without fear of rusting! SKLAR SOAK is an effective pre-cleaner that breaks down bio-burden, lifting blood and other organic debris from the surface, while penetrating box locks and crevices. The rust inhibitor protects the delicate chromium oxide layer of the instrument, thus defending against rust and corrosion. Using SKLAR SOAK™ as a pre-cleaner is the first line of defense against rust, prolonging the life of the instrument and therefore protecting your investment!

Soaking for only two minutes thoroughly decontaminates instruments, reducing the risk of exposure to pathogens such as H1N1, HIV-1, HPV, VRE, Norovirus, Hep B & C as well as TB, MRSA, A. Baumannii, and C. Diff in its vegetative form. However, because SKLAR SOAK™ contains a rust inhibitor, instruments may soak for several hours without fear of rusting! Employees are protected from cross contamination, and at the same time can enjoy the freedom to reprocess instruments when it's convenient!

SKLAR SOAK is ideal for use on all stainless steel instruments:

- PH balanced, designed specifically for stainless steel instruments.
- Intermediate level disinfectant with broad spectrum of efficacy.
- Rust resistant.
- Non-caustic.
- Ready to use.
- No special handling or disposal.
- Fragrant, no offensive odors.
- Non-glutaraldehyde.



PRODUCT NUMBER	FEATURES	QUANTITIES
10-1603	1 Gallon Bottles	4/case
10-1609	1 Gallon Bottle	1 bottle

# SKLAR INSTRU-GUARD™ ONE STEP

## A “ONE STEP” INSTRUMENT CLEANER AND LUBRICANT

### EXTENDS INSTRUMENT LIFE!

SKLAR INSTRU-GUARD ONE STEP contains a penetrating lubricant that protects and helps extend the life of surgical instruments. The detergents and emulsifiers quickly break up and remove organic soils from box locks and other hard to reach places.

SKLAR INSTRU-GUARD ONE STEP contains four rust inhibitors to control corrosion and eliminate scaling and spotting. It does not contain phosphates and can reduce the time and cost involved in processing your instruments by cleaning and lubricating in one easy step.

PRODUCT NUMBER	FEATURES	QUANTITIES
10-2800	1 Gallon Bottles	4/case
10-2801	1 Gallon Bottle	1 bottle



# SKLAR INSTRU-GUARD™ LUBE

## SURGICAL INSTRUMENT LUBRICANT / RUST INHIBITOR

- Increase the Life of Instruments.
- Protects all Surgical Instruments.

SKLAR INSTRU-GUARD LUBE is an easy-to-use, water soluble, lubricant and rust inhibitor. When used daily as a rinse after every cleaning it keeps moving parts operating smoothly and remains effective after autoclaving, but without leaving an oily residue.

Regular lubrication is essential no matter which cleaning method is employed (including ultrasonic). SKLAR INSTRU-GUARD LUBE is ideal for maintaining instrument quality and performance.

PRODUCT NUMBER	FEATURES	QUANTITIES
10-1635	1 Gallon Containers Concentrated	4/case
10-1634	1 Gallon Container Concentrated	1 container
10-1636	8 oz. Spray Bottles	12/case
10-1637	8 oz. Spray Bottle	1 bottle



# SKLAR KLEEN™

## LOW FOAM, LIQUID DETERGENT AND POWDERED FORMULA

### Regular Formula for Manual and Ultrasonic Cleaning

SKLAR KLEEN is non-corrosive, non aggressive, phosphate free and biodegradable. We have specifically developed SKLAR KLEEN for manual and ultrasonic cleaning. It is moderately alkaline, affording optimum cleaning without etching glassware or attacking instrument metal.

### Low Foam Formula for Automatic Cleaning

The SKLAR KLEEN Low Foam Liquid is concentrated in order to provide a very cost-effective solution. It is especially formulated to maintain low foam, ensuring effective and trouble-free action in washer/sterilizers and tunnel washers. Dispersing quickly, the SKLAR KLEEN Low Foam formula is also well suited for automatic injection systems.

PRODUCT NUMBER	FEATURES	QUANTITIES
10-2701	Low Foam 1 Gallon Bottles	4/case
10-1608	Powdered 5 lb. Containers	4/case
10-1607	Powdered 5 lb. Container	1 container
10-1630	Powdered 3.5 lb. Pitchers	6/case
10-2765	Powdered 3.5 lb. Pitcher	1 pitcher
10-1612	Liquid 8 oz. Bottles	6/case
10-1614	Liquid 8 oz. Bottle	1 bottle
10-1613	Liquid 1 Gallon Bottles	4/case
10-1627	Liquid 1 Gallon Bottle	1 bottle



# SKLAR-SHEEN™

## AUTOCLAVE AND INSTRUMENT CLEANER AND CONDITIONER

With an efficacious phosphoric acid cleaning agent, Sklar Sheen is a robust spot, stain and rust remover. Ideal for dissolving hard water deposits, use in autoclaves to quickly cut through steam sterilizer scale and deposits.

Verstile and effective, SKLAR SHEEN couples powerful stain and rust removers with corrosion inhibitors, making it tough on stains but gentle on instruments. Recondition instruments to restore them to nearly brand new working condition.

Use to clean and recondition any stainless steel surface to its original luster, including carts, trays and basins.

- Conditions for lasting protection.
- Dissolves hard water deposits.
- Frees up frozen box locks.
- Restores and extends surgical instrument life.

Product Number	Description	Quantity
10-2730	Stain & Rust Remover	1 Gallon Bottle
10-2732	Stain & Rust Remover	4/Case
10-2736	Spray Foam Autoclave Cleaner & Conditioner	22oz. Bottle
10-2738	Spray Foam Autoclave Cleaner & Conditioner	12/Case





# SKLAR ENZYMATIC™ DETERGENT

## MULTI-ENZYME DETERGENT CONCENTRATE

### 100% Biodegradable

SKLAR ENZYMATIC Detergent is a low-foaming, fast acting detergent specifically designed for use when instruments and/or cloth materials become soiled with organic debris.

SKLAR ENZYMATIC Detergent may be used as a manual instrument cleaner as well as a pre-soak for blood-contaminated linens, clothing and instruments. It is also used in ultrasonic units and in washer/sterilizer/decontaminators. When used as directed, the enzymatic pH neutral formula is safe for use on rubber, plastic, stainless steel instruments, and surgical equipment as well as cloth.

PRODUCT NUMBER	FEATURES	QUANTITIES
10-2777	1 Gallon Bottles	4/case
10-2775	1 Gallon Bottles	2/case
10-2776	1 Gallon Bottle	1 bottle



**3 EASY STEPS FOR THE CARE AND CLEANING OF YOUR INSTRUMENTS****DECONTAMINATION****1 SKLAR SPRAY DISINFECTANT™  
Disinfectant / Decontaminant Cleaner**

SKLAR DISINFECTANT is a pre-cleaner and disinfectant for the safe decontamination of soiled surgical instruments, medical and surgical equipment, and inanimate surfaces including plastics, stainless steel, chrome, glass, Plexiglas and baked-on painted surfaces. The use of SKLAR DISINFECTANT for 2 minutes kills infectious organisms including N1H1, MRSA, Salmonella, Parvo, Feline Leukemia, Herpes Simplex, Distemper, Ringworm, Strangles.

**CLEANING****2 SKLAR KLEEN™ DETERGENTS  
AND ENZYMATICS**

Sklar has an array of agents for effectively cleaning not only your surgical instruments, but for other metals, glassware, plastic, and rubber. SKLAR KLEEN detergent is available as a powder or liquid. Our enzymatic products, specially formulated for processing instruments heavily laden with organic debris, are concentrated and available in a variety of sizes. Sklar also offers SPRAY-ZYME™ a new foam spray pre-cleaner.



*Choose The Cleaning Product Right For You!*

**LUBRICATION****3 SKLAR LUBRICANT  
AND SPRAY LUBE™**

SKLAR LUBE should be a part of your instrument processing regimen to guarantee extending the life and performance of this very important investment. Sklar offers several different types of lubricant to suit your needs. All designed specifically for surgical instruments, they each contain rust inhibitors to protect against corrosion, rusting, and staining.



*Your Instruments Will Look And Work Like New!*

**YOUR FINAL STEP IS AUTOCLAVE STERILIZATION**

# SKLAR STAT™

## INSTANT FOAM HAND SANITIZER

**KILLS 99% OF GERMS IN LESS THAN 15 SECONDS!**

SKLAR-STAT Instant Foam Hand Sanitizer, based on the active ingredient Benzalkonium Chloride, is a unique formulation featuring exceptional skin feel, conditioning and moisturizing properties. The efficacy of this product has been confirmed to reduce *S. Aureus* 99.999% and *S. Aureus* MRSA 99.9% in as little as 15 seconds. SKLAR-STAT Instant Foaming Hand Sanitizer produces a fast drying, non-sticky foam that contains unique conditioning and moisturizing ingredients, leaving the skin with a soft, silky after-feel.

PRODUCT NUMBER	FEATURES	QUANTITIES
10-2850	50 ml Pump Dispensers	24/case
10-2852	550 ml Pump Dispensers	12/case

# SKLAR STAT™

## AUTOMATIC FOAM DISPENSER

Motion activated, battery powered and wall-mounted, Sklar's AUTOMATIC FOAM DISPENSER allows for easy access and reduced risk of cross contamination. Ideal for use in hospitals, medical centers, offices, schools and any high-traffic public area with multiple users.



PRODUCT NUMBER	FEATURES	QUANTITIES
10-2856	Wall Mount Dispenser	1 Each
10-2854	1000 ML Refill Bottles	6/case

- Alcohol-Free
- Non-Sticky
- Moisturizes and Conditions Hands

1. Pump a small amount into palm of hand.
2. Rub thoroughly over both surfaces of both hands.
3. Rub hands together briskly until dry.



# SKLAR FRESH™

## LIQUID SPRAY ODOR ABSORBER

SKLAR FRESH is an environmentally friendly blend of pure biodegradable organic essential oils and trace elements. It is a non-allergenic liquid spray that neutralizes odors at their source. Simply spray SKLAR FRESH directly in the air or on the source (i.e. bathrooms, refuse, soiled items from vomitus, incontinence odors, etc.)

PRODUCT NUMBER	FEATURES	QUANTITIES
10-2842	22 oz. Spray Bottles	12/case

# SKLAR POLISH™

## INSTRUMENT STAIN REMOVER

### Non-Abrasive

SKLAR POLISH is an effective stain remover for use on all your metal surgical instruments, including stainless steel, chrome and brass. It will brighten instrument trays, basins and racks and may also be used on porcelain and tile surfaces.



PRODUCT NUMBER	FEATURES	QUANTITIES
10-1626	8 oz. Jars	12/case
10-1629	8 oz. Jars	6/case
10-1927	8 oz. Jar	1 jar



# SKLAR INSTRUMENT CARE KIT

A Trio of Sklar’s Care and Cleaning products to keep instruments in tiptop shape.

PRODUCT NUMBER	FEATURES	QUANTITIES
10-1625		
	Sklar Lube™ 8 oz. Spray Bottle	1 each
	Sklar Kleen™ Liquid 8 oz. Bottle	1 each
	Sklar Polish™ 8 oz. Jar	1 each
	Stainless Steel Bristle Cleaning Brush	1 each
	Nylon Bristle Cleaning Brush	1 each



## TROUBLE SHOOTING

### NO STEEL IS TRULY “STAINLESS”

It’s a fact that so-called stainless steel is subject to both water-spotting and staining. However what many people identify as a “rust” problem usually turns out to be something else.

Most often the problem is actually a stain caused by a surface deposit. These deposits appear in a variety of colors depending upon the type of deposit involved. Once the cause is found and eliminated, most of the time the problem quickly diminishes or disappears completely.

As you probably know, stainless steel is ideally suited for the surgical suite because it is rust resistant, it can be honed to an extremely sharp edge or fine point,

and it can be hardened to maintain the delicate, yet precise, requirements of the surgeon. But it is this hardenable quality – the amount of carbon used during the manufacturing process – coupled with harsh chemicals and improper care that renders stainless steel susceptible to corrosion.

To protect your instrument investment, Sklar cleaning agents have been specifically formulated to provide cost effective instrument care solutions that help maintain the life and performance of your valuable stainless steel instruments.

## TROUBLE SHOOTING

### CORROSION

- Problem:** Debris and residue in box locks, serrations and ratchets.
- Solution:** Serrations, box locks and ratchets should be carefully cleaned and rinsed. A soft bristle brush is effective in these difficult areas.
- Problem:** Moisture remaining on the instruments within the sterile wrapped packs; excessive moisture in autoclave during sterilization and termination of cycle.
- Solution:** Preheat autoclave, drying time cannot be accelerated, open autoclave door slightly. Routinely inspect valves. Malfunctioning valves can precipitate corrosion.
- Problem:** Some local water supplies contain excessive quantities of alkali. This can manifest itself by depositing corrosive matter on the instruments.
- Solution:** It is generally accepted that cold distilled or demineralized water be used during sterilization. An alternative is to use the local water supply, while instituting a program of preventive maintenance. Carefully clean surfaces with SKLAR KLEEN™, using SKLAR POLISH™ to remove difficult stains and SKLAR LUBE™ for proper lubrication.

### PITTING

- Problem:** Instruments are inevitably exposed to chemical compounds that initiate pitting. The most common are saline solutions and blood.
- Solution:** It is essential that instruments be rinsed with distilled or demineralized water and then cleaned routinely.
- Problem:** Some Non-Sklar detergents contain a chloride or have an acid base. If rinsing is not thorough, the residual detergent can precipitate pitting. Hydrochloric acid can be formed by the combination of chloride in the cleaner and steam, causing the instrument to pit.
- Solution:** Evaluate detergents without a chloride base. SKLAR KLEEN™ is recommended.
- Problem:** Instruments may be pitted when the detergent used has an excessively high pH. If instruments are not rinsed thoroughly and then autoclaved, the heat increases the effect of the solution on the instruments.
- Solution:** Use only detergents specifically developed for instrument cleaning. SKLAR KLEEN™ products are pH balanced.

### BROWNISH STAIN

- Problem:** This stain is more obvious on dull finish instruments. Most likely, it is a deposit of chromium oxide. The thin hard layer protects stainless steel from corrosion precipitated by the atmosphere. The brownish film (sometimes dull blue) occurs naturally when stainless is heated. Occasionally this stain can be traced to the sterilizer. Improper cleaning compounds could contain poly phosphates that cause the copper components in the sterilizer to be deposited by electrolytic action on the stainless steel instruments.
- Solution:** Water supply to autoclave should be cold and demineralized. Use the correct amount of SKLAR KLEEN™ as recommended for best results.

### BLUISH GRAY STAINS

- Problem:** Cold sterilizing solutions.
- Solution:** In the preparation of the solution make certain the manufacturer's directions are followed accurately. To minimize discoloration use distilled water and add a rust inhibitor. Using the solution beyond recommended time limitations will cause the solution to become corrosive.

### RUST DEPOSIT

- Problem:** Sterilizing instruments of different metals in the same cycle will cause rusting. An electrolytic action carries the carbon particles from the exposed metal and deposits them on the stainless steel instruments. The rapid oxidation of molecules results in a surface film of rust.
- Solution:** The ideal technique would be to sterilize the two types of instruments separately. It is recommended that chrome plated instruments that indicate signs of peeling or flaking be replaced with stainless steel instruments.
- Problem:** The rust film on the surface of stainless steel instruments can be caused by chemicals in the detergent. Excess amounts of iron or other minerals from the local water supply may cause the rust deposits.
- Solution:** It is recommended that instruments be rinsed with distilled or demineralized water. Surface rust can be removed by light buffing or an application of SKLAR POLISH™.

### LIGHT AND DARK COLORED SPOTS

- Problem:** Spotting caused by slow evaporation of water drops identified with the mineral content of the water.
- Solution:** Eliminate water droplets by adhering to autoclave manufacturer's operating instructions. Autoclave door should not be opened until steam has been completely vented.

The background of the entire page is a top-down view of various surgical instruments and trays. In the center, there are two large, rectangular stainless steel trays. The top tray has a circular hole in the center with a vertical bar across it. Below it is another similar tray. To the left and right, there are other trays, some with small blue dots on their surfaces. In the bottom foreground, there is a perforated metal tray with blue fabric straps. On this tray, a pair of surgical forceps and a pair of surgical scissors are laid out. The overall color scheme is dominated by the metallic silver of the instruments and the deep blue of the background and straps.

DISTRIBUTED BY:

 **Sklar**

889 South Matlack Street  
West Chester, PA 19382

ph: 800.221.2166 / 610.430.3200  
fx: 610.696.9007  
e-mail: [surgi@sklarcorp.com](mailto:surgi@sklarcorp.com)  
e-mail: [international@sklarcorp.com](mailto:international@sklarcorp.com)

[www.sklarcorp.com](http://www.sklarcorp.com)